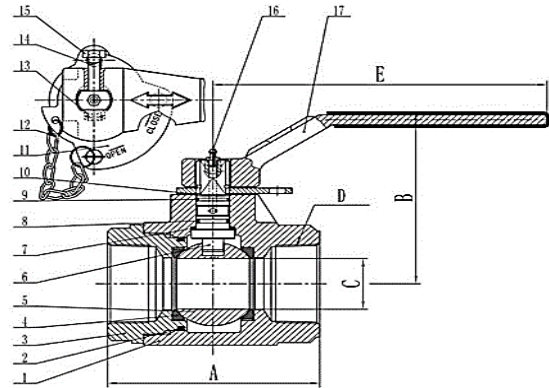


WORKHORSE INDUSTRIES

1000# Ball Valve 2pc Series Ductile Iron RP/FP

Specifications

Size:	1" - 4", Including 2-1/2"
Style:	2pc Threaded Body
Port:	Reduced Port and Full Port
Design:	ASME B16.34
Materials:	NACE MR-0175
Working Pressure:	*300 - 2000 WOG / (NSCWP)
Inspection and Test:	API598
Thred Conforms To:	ASME B1.20.1

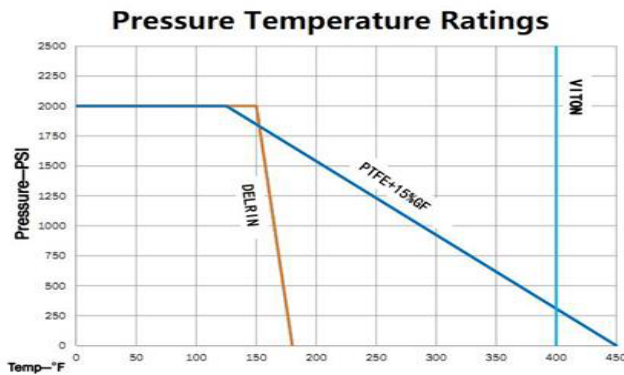


Features

- Blowout proof stem, Locking Pin W/ Chain
- External stem lubrication, W/ FxF (NPT) End Connections
- *Reduced Port = 4" MOP is 1000PSI
- Reduced Port = NO 1" and 2-1/2"
- Full Port = 1" thru 2" are PTFE+15%GF seats
2-1/2" thru 4" are Delrin seats ONLY

Parts & Materials

No.	Description	Material
1	Body	ASTM A216 WCB
2	Ball	304SS
3	Cap	ASTM A216 WCB
4	Seat	RPTFE
5	Gasket	
6	Stem	316SS
7	Stem Seal	PTFE
8	Handle	SS201
9	Handle Cover	PVC
10	Thrust Washer	RPTFE
11	Gland Nut	SS304
12	Handle Washer	SS304
13	Handle Nut	A2-70
14	Locking Pad	SS201



Dimensions (in.)

Part Number	Size	PSI	Port	A	B	C	D (NPT)	E	Weight (lbs)	Torque (in/lbs)
BV2-1000RPTVDI	2"	1000	RP	5.51	5.59	1.5	11.5	8.54	11.5	1200
BV3-1000FPTVDI	3"	1000	FP	8.74	6.85	3.0	8.0	15	42.0	3660
BV4-1000RPTVDI	4"	1000	RP	8.7	6.85	3.0	8	13.35	35.0	2155

Due to continuous improvements, design may change without prior notice. Torques rated @ Full Pressure.

