

WORKHORSE INDUSTRIES

Thermowell made from one piece solid bar

Specifications

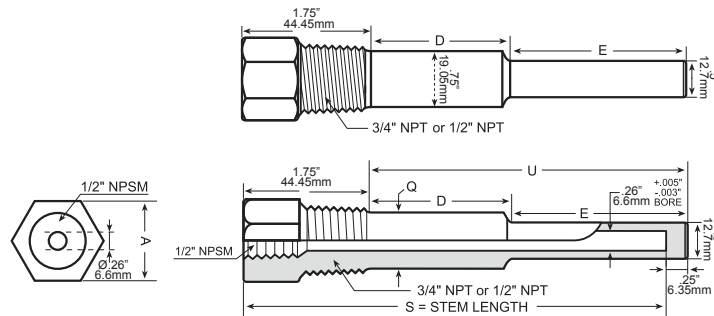
Thermowell, made from 304 stainless steel or 316 stainless steel
3/4" NPT male x 1/2" NPSM female, or 1/2" NPT male x 1/2" NPSM female

From one piece bar stock

NPT male	S length	Material
1/2" NPT	2.5"	304SS
1/2" NPT	2.5"	316SS
1/2" NPT	4"	304SS
1/2" NPT	4"	316SS
1/2" NPT	6"	304SS
1/2" NPT	6"	316SS
3/4" NPT	2.5"	304SS
3/4" NPT	2.5"	316SS
3/4" NPT	4"	304SS
3/4" NPT	4"	316SS
3/4" NPT	6"	304SS
3/4" NPT	6"	316SS



Dimensions



Code	S	Thread	A	D	E	Q	Material
TW1/2x21/2	2.5"	1/2"NPSM-F x 1/2NPT-M	28.5mm(1.2")		25.4mm(1")	15.88mm(5/8")	304.304SS
TW1/2x21/4	4"	1/2"NPSM-F x 1/2NPT-M	28.5mm(1.2")		63.5mm(2.5)	15.88mm(5/8")	
TW1/2x21/6	6"	1/2"NPSM-F x 1/2NPT-M	28.5mm(1.2")	50.8mm(2")	63.5mm(2.5)	15.88mm(5/8")	316.316SS BR:Brass
TW3/4x21/2	2.5"	1/2"NPSM-F x 3/4NPT-M	32mm(1.25")		25.4mm(1")	19.05mm(3/4")	
TW3/4x4	4"	1/2"NPSM-F x 3/4NPT-M	32mm(1.25")		63.5mm(2.5)	19.05mm(3/4")	X:Special
TW3/4x6	6"	1/2"NPSM-F x 3/4NPT-M	32mm(1.25")	50.8mm(2")	63.5mm(2.5)	19.05mm(3/4")	Material

