

# WORKHORSE INDUSTRIES

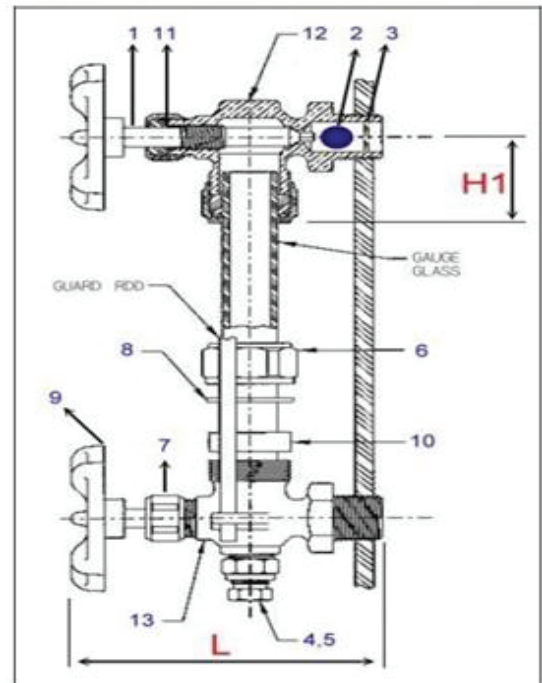
## Brass Water Gauge Valve

### Features

- 205 WSP / 400 WOG
- Rising Stem
- Bronze Body
- Malleable Iron Wheel
- Stop Ball Check

### Parts & Materials

No.	S length	Material
1	Stem	Brass
2	Ball	Brass
3	Washer	SS302
4	Drain Valve	Brass
5	Drain Valve	Brass
6	Nut	Brass
7	Nut	Brass
8	Washer	Brass
9	Disc	Malleable Iron
10	Packing	NBR
11	Disc	Teflon
12	Body	Bronze
13	Body	Bronze



### Dimensions

Size	Pressure	H1	L	Weight (lbs)
1/2 x 5/8	400	34	115	31

